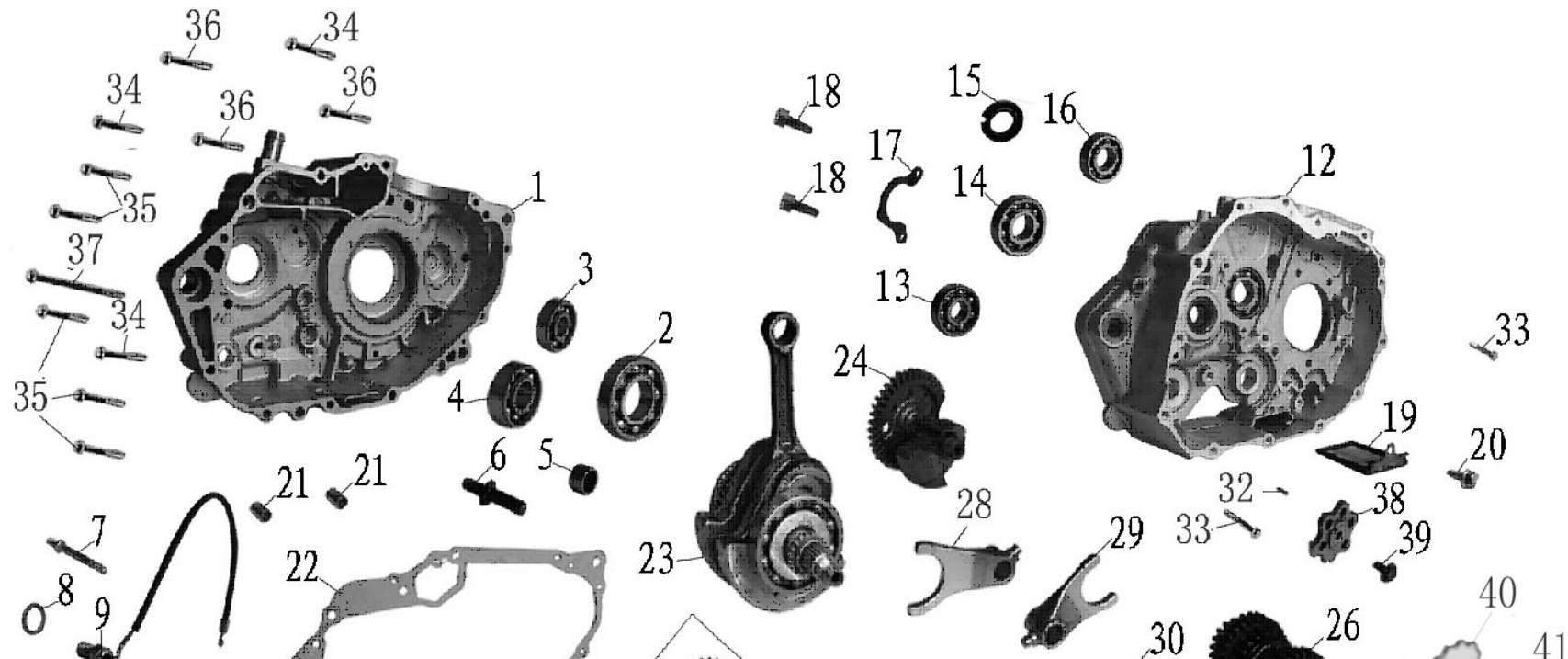


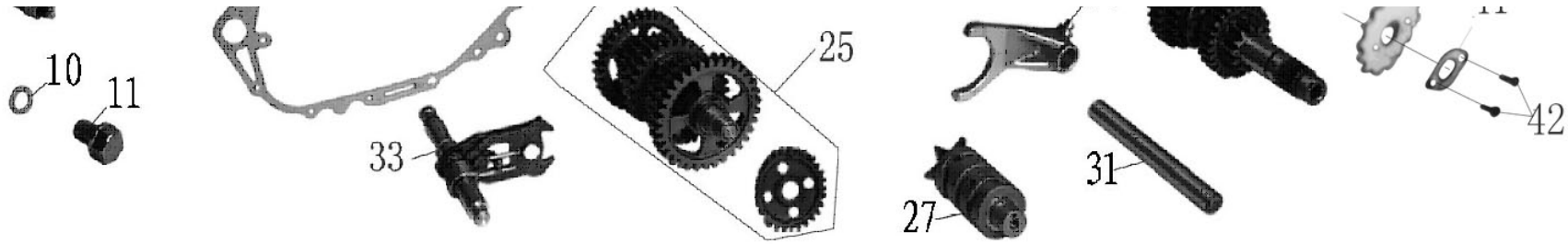


350 OHC CLASSIC (Euro 5) PARTS CATALOG

INSTRUCTION:

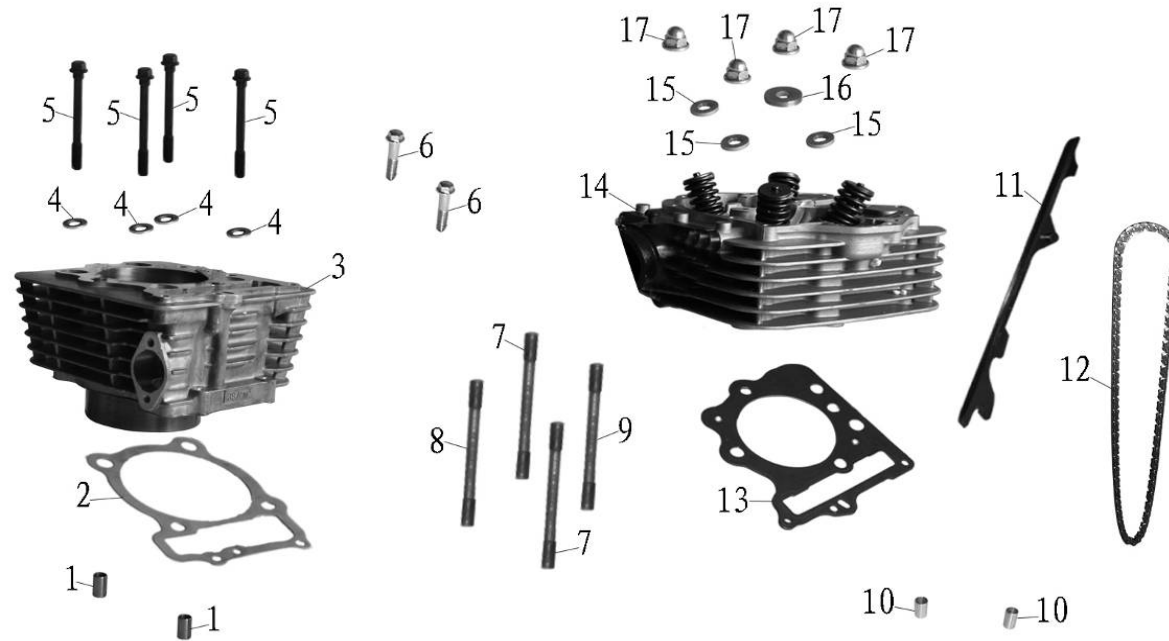
PLEASE DON'T MAKE ANY CHANGE TO THE ORIGINAL INFORMATION IN THIS SHEET
PLEASE ALWAYS USE THIS SHEET TO ORDER PARTS AND SEND BACK TO US BY EMAIL





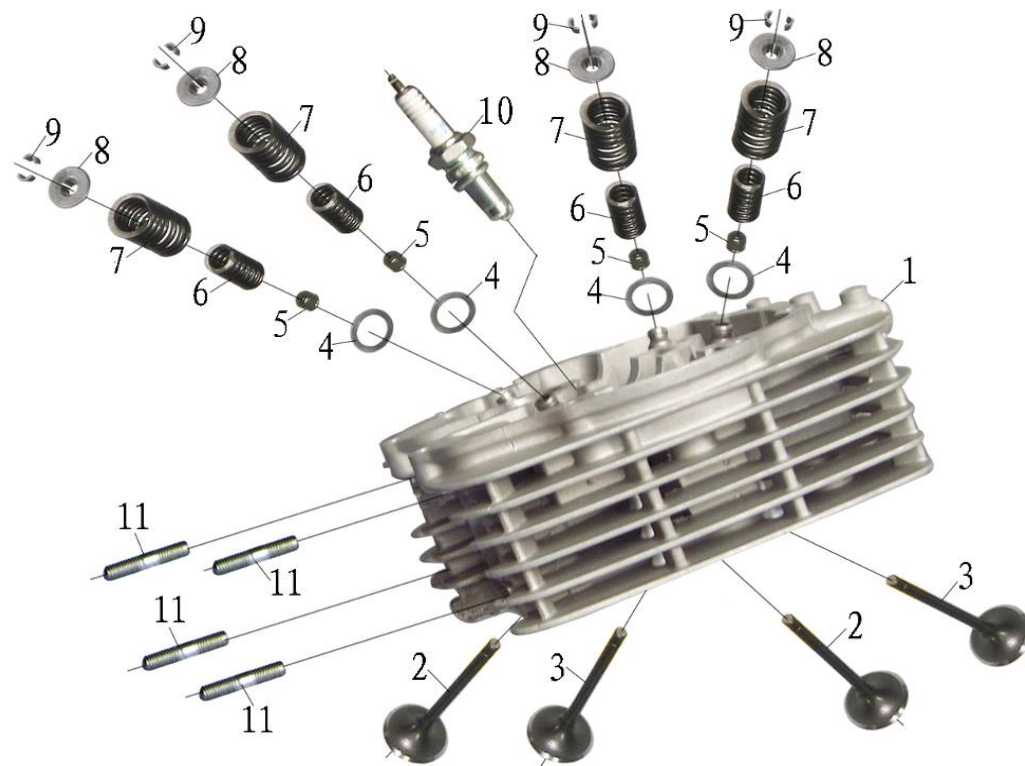
NO.	PARTS CODE	DESCRIPTION	ORDER	NOTE	COUNT
1	11010655	Left crankcase assembly assy (black, polished)			
2	70090195	Bearing 6203			
3	70090194	Bearing 6006/25-25*55*13			
4	70090193	Bearing 6301/13/C3			
5	70090016	Bearing HK121610			
6	72011363	Bolt M8X41			
7	72011364	Bolt M6x63			
8	72040362	Copper washer $\phi 10.2 \times \phi 14 \times 1$			
9	11040153	sense organ			
10	72040159	Washer $\phi 12.5 \times \phi 20 \times 1.5$			
11	72012089	Fuel screw M12x1.25x15			
12	12010614	Right crankcase assembly assy (black, polished)			
13	70090192	Bearing 6302/C3			
14	70090196	Bearing 62/22			
15	72110096	Oil seal $\phi 18 \times \phi 34 \times 5$			
16	70090197	Bearing 60/22/18-Z-18*44*12			
17	73131479	Limit board ,Bearing			
18	72011368	Bolt M6x16			
19	11060005	Engine oil filtering net			
20	72010157	Bolt M6x16			
21	72060019	Dowel pin $\phi 10 \times 16$			
22	72130583	Crankcase gasket			
23	21220014	Crankshaft connecting rod assy			
24	21230001	Balance shaft			
25	15030105	Countershaft assy			
26	15020081	Main shaft assy			

27、28、29、30、31、32、	15050043		Gearshift drum assy、 Fork I、 Fork II、 Fork III、 Axes ,fork、 Dowel pin				
33	15070043		Gearshift pedal				
34	72010169		Bolt M6x35				
35	72010392		Bolt M6x65				
36	72010173		Bolt M6x50				
37	72010176		Bolt M6x80				
38	15090009		Wheel ,gearshift				
39	72011167		Bolt M6x20				
40	15170066		DRIVE SPROCKET				
41	73131476		FIXING PLATE, DRIVE SPROCKET				
42	72010989		Bolt M6x12				

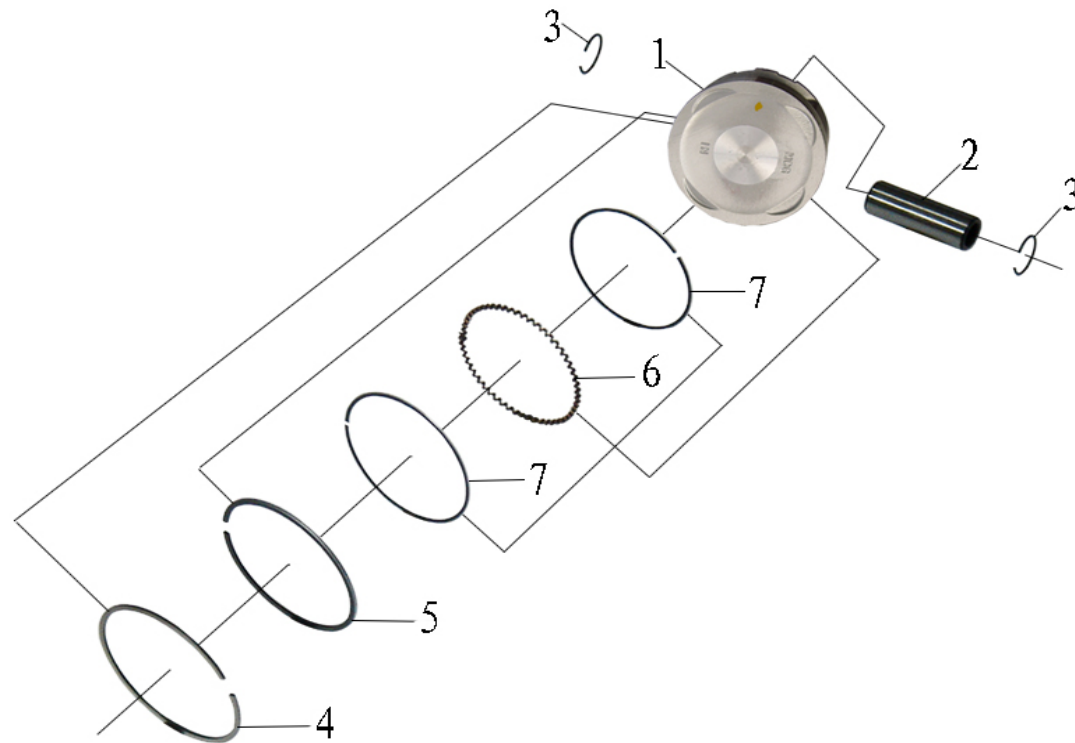


NO.	PARTS CODE	DESCRIPTION	ORDER	NOTE	COUNT
1	72060091	Dowel pin $\phi 10.5 \times \phi 12 \times 20$			
2	72130598	Cylinder gasket			
3	27010526	Cylinder body (black, polished)			

4	72040577		Washer ϕ 10.3x ϕ 18.6x2			
5	72011371		Bolt M10x1.25-100			
6	72010388		Bolt M6x32			
7	72011372		Bolt M10x1.25-86			
8	72011373		Bolt M10x1.25-118			
9	72011376		Bolt M10x1.25-99			
10	72060091		Dowel pin ϕ 10.5X ϕ 12X20			
11	73011167		Timing chain guider			
12	15160015		Timing chain			
13	72130381		Cylinder head gasket			
14	22011275		Cylinder head assembly assy (black, polished)			
15	72040740		Washer ϕ 10.3X ϕ 20.8X3			
16	72040370		Washer ϕ 10.3X ϕ 25X4			
17	72020583		Nut M10X1.25			



NO.	PARTS CODE	DESCRIPTION	ORDER	NOTE	COUNT
1	22011275	Cylinder head assembly assy (black, polished)			
2	22020043	Intake valve			
3	22020044	Exhaust valve			
4	72040365	Spring washer $\phi 18.7 \times \phi 26.3 \times 1$			
5	72110026	Oil seal			
6	72120082	Spring inside			
7	72120083	Spring outside			
8	22030003	Spring seat			
9	22040003	Valve lock nip			
10	31170020	Spark plug			
11	72011809	Bolt M8x41			

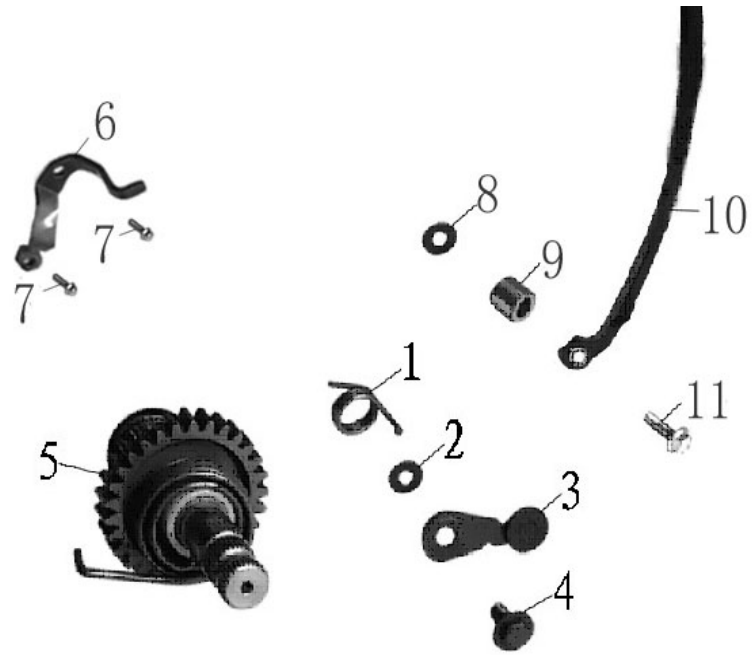


NO.	PARTS CODE	DESCRIPTION	ORDER	NOTE	COUNT
-----	------------	-------------	-------	------	-------

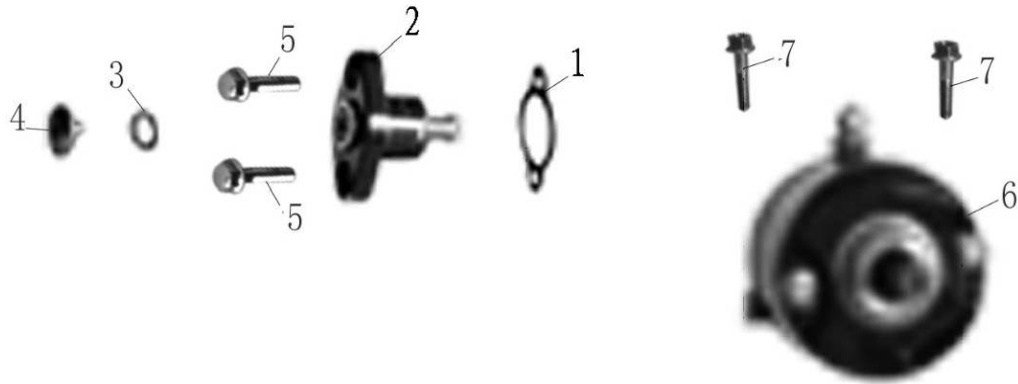
1	21020139		Piston				
2	21040023		Piston pin				
3	72080065		Piston pin circlip				
4、5、6、7	21030586		Piston ring I、Piston ring II、Oil cup、Side ring				



NO.	PARTS CODE		DESCRIPTION	ORDER	NOTE	COUNT
1	72060012		Dowel pin φ8x14			
2	72130423		Gasket			
3	20010042		Oil pump			
4	72010388		Bolt M6x32			
5	72010389		Bolt M6x40			
6	72010173		Bolt M6x50			
7	72150127		O-ing			

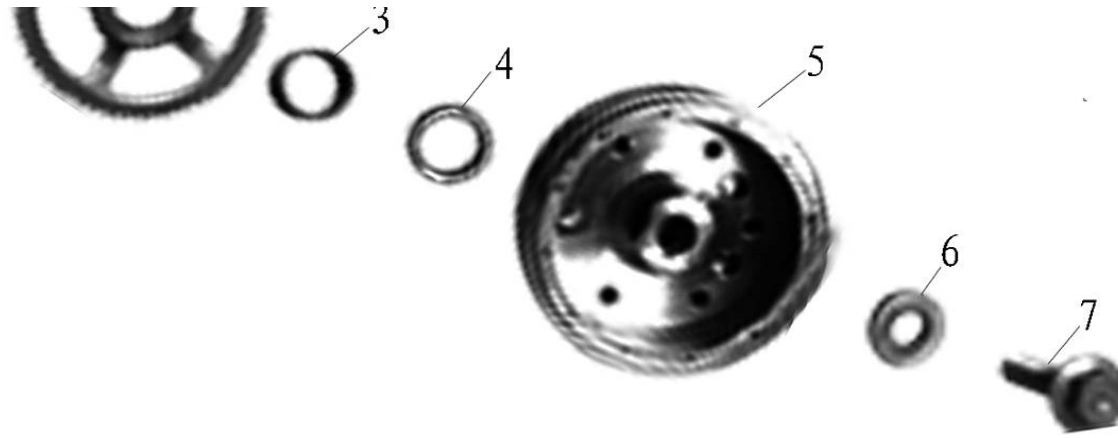


NO.	PARTS CODE	DESCRIPTION	ORDER	NOTE	COUNT
1	72120085	Spring ,shifter			
2	72040366	Washer $\phi 6.5 \times \phi 14.2 \times 1$			
3	15080015	shifter			
4	72010157	Bolt			
5、 6	15010030	starting shaft assy、 Pressure plate, starting intermediate gear			
7	72010163	Bolt M6x25			
8	72040366	Washer $\phi 6.5 \times \phi 14.2 \times 1$			
9	72060089	tensioner plate bush			
10	73011166	Tension plate			
11	72010163	Bolt M6X25			

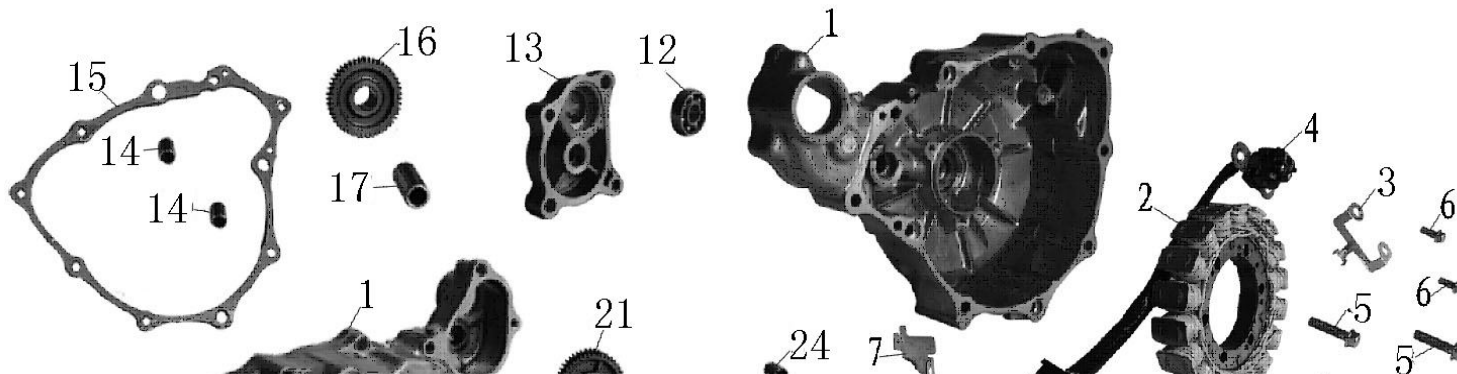


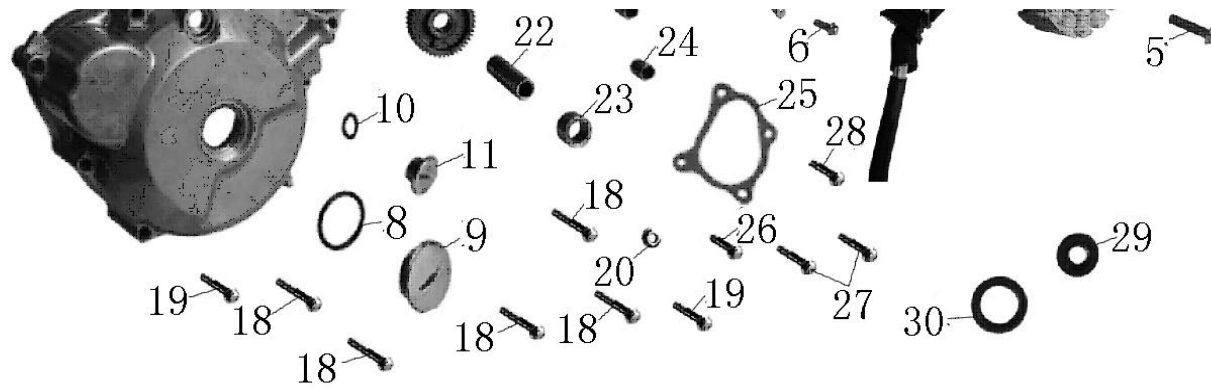
NO.	PARTS CODE	DESCRIPTION	ORDER	NOTE	COUNT
1	72130077	Tension ware gasket(steel)			
2、3、4	15150013	Tensioning device、O-ing、 Bolt			
5	72010157	Bolt M6X16			
6	31160458	Start motor			
7	72010163	Bolt M6X25			





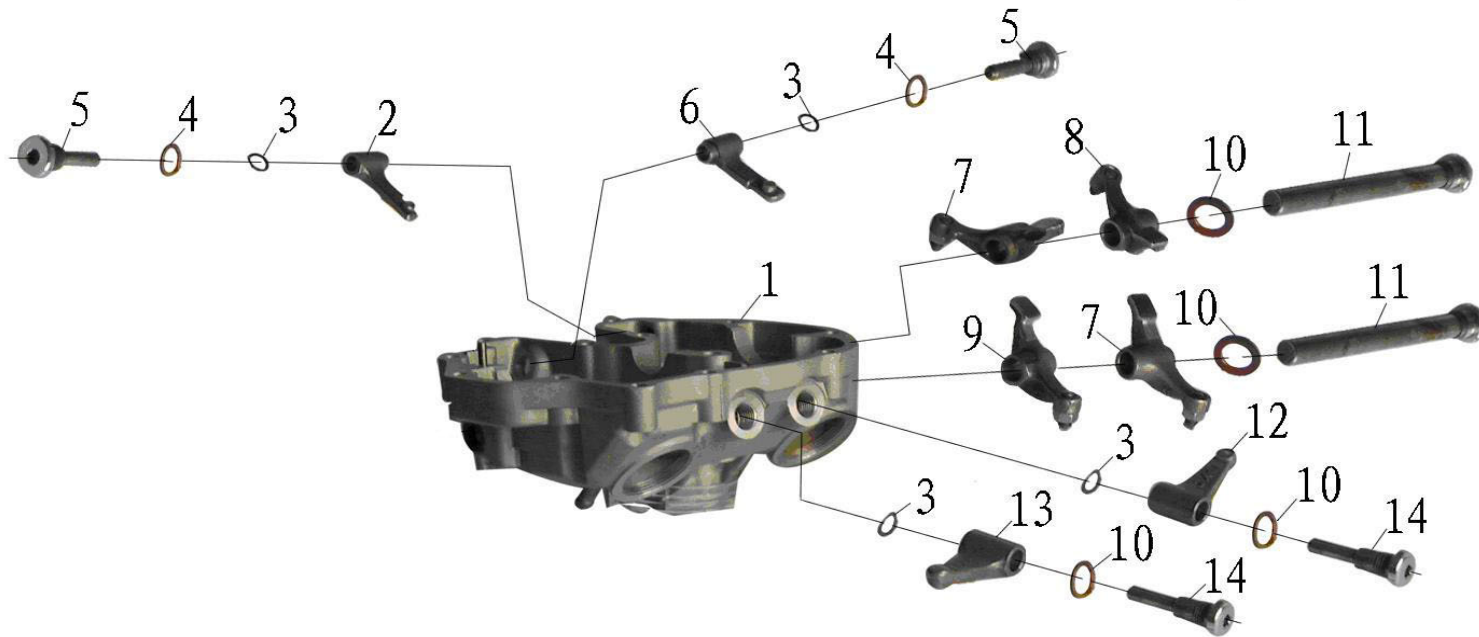
NO.	PARTS CODE	DESCRIPTION	ORDER	NOTE	COUNT
1	72040358	Washer $\phi 30 \times \phi 42 \times 5.7$			
2	15110018	Gear			
3	70090092	Bearing ,roll pin			
4	72040359	Washer $\phi 29.2 \times \phi 38.5 \times 3.7$			
5	31150156	Rotor, magneto			
6	72040360	Washer $\phi 12.6 \times \phi 30 \times 5$			
7	72011367	Bolt M12x1.25-50			





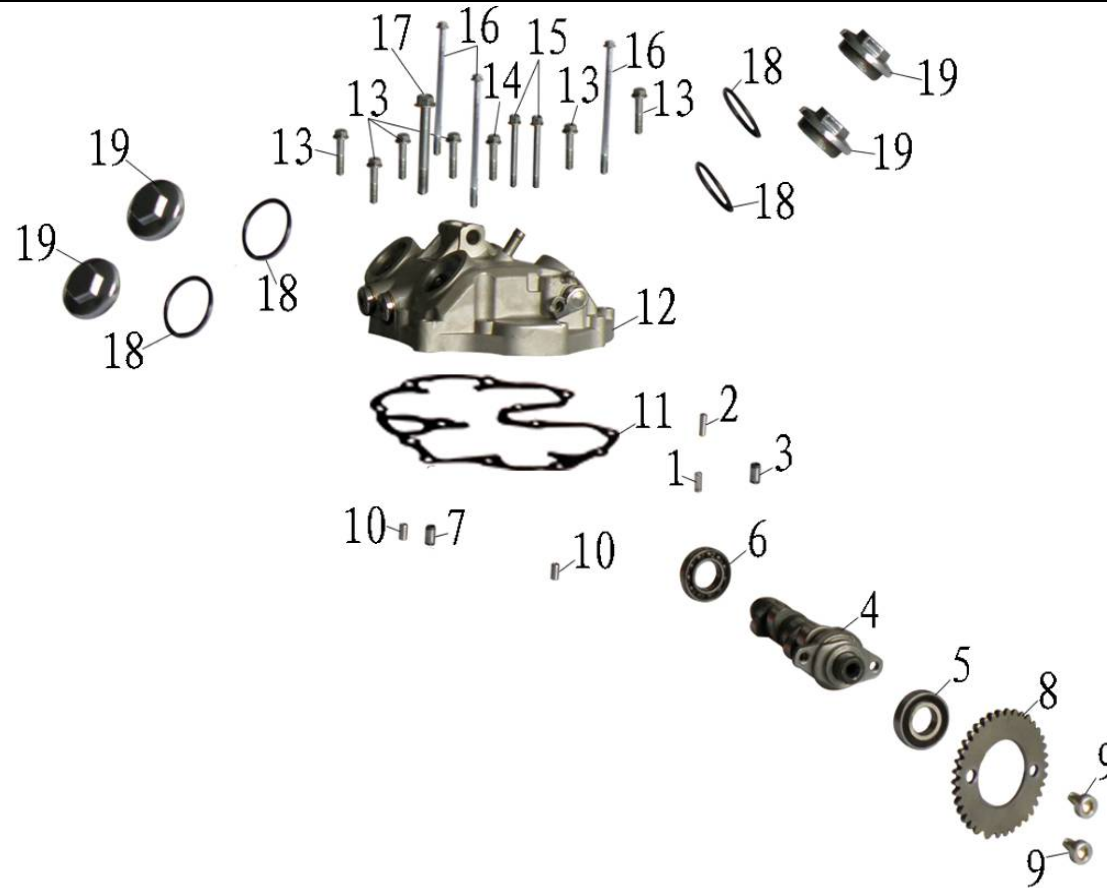
NO.	PARTS CODE	DESCRIPTION	ORDER	NOTE	COUNT
1	14010895	Front cover, left crankcase assy (black.polished)			
2、3、4	31140448	Stator assy ,magneto、 Block ,spring、 Line nip ,spring line			
5	72010388	Bolt M6x32			
6	72010157	Bolt M6x16			
7	73131478	Nip ,press line			
8	72150152	Inspection hole screw O-ring			
9	14060023	Inspection hole screw			
10	72150153	Inspection hole screw O-ring			
11	14060024	Inspection hole screw			
12	70090200	Bearing 6000 (10x26x8)			
13	14070041	Dual gear cover			
14	72060014	Dowel pin 10x20			
15	72130595	Left crankcase cover gasket			
16	15110019	Dual-gear assy			
17	24080010	Axle,dual-gear			
18	72010174	Bolt M6X60			
19	72010173	Bolt M6X50			
20	72020358	Nut M6			
21	15110020	Gear			
22	24080011	Gear shaft			
23	24080012	Bush ,gear shaft			
24	72060012	Dowel pin φ8x14			
25	72130588	Gasket			

26	72010169		Bolt M6x35			
27	72010392		Bolt M6x65			
28	72010387		Bolt M6x28			
29	72110095		Oil seal $\phi 25 \times \phi 35 \times 5$			
30	72110009		Oil seal $\phi 14 \times \phi 28 \times 7$			



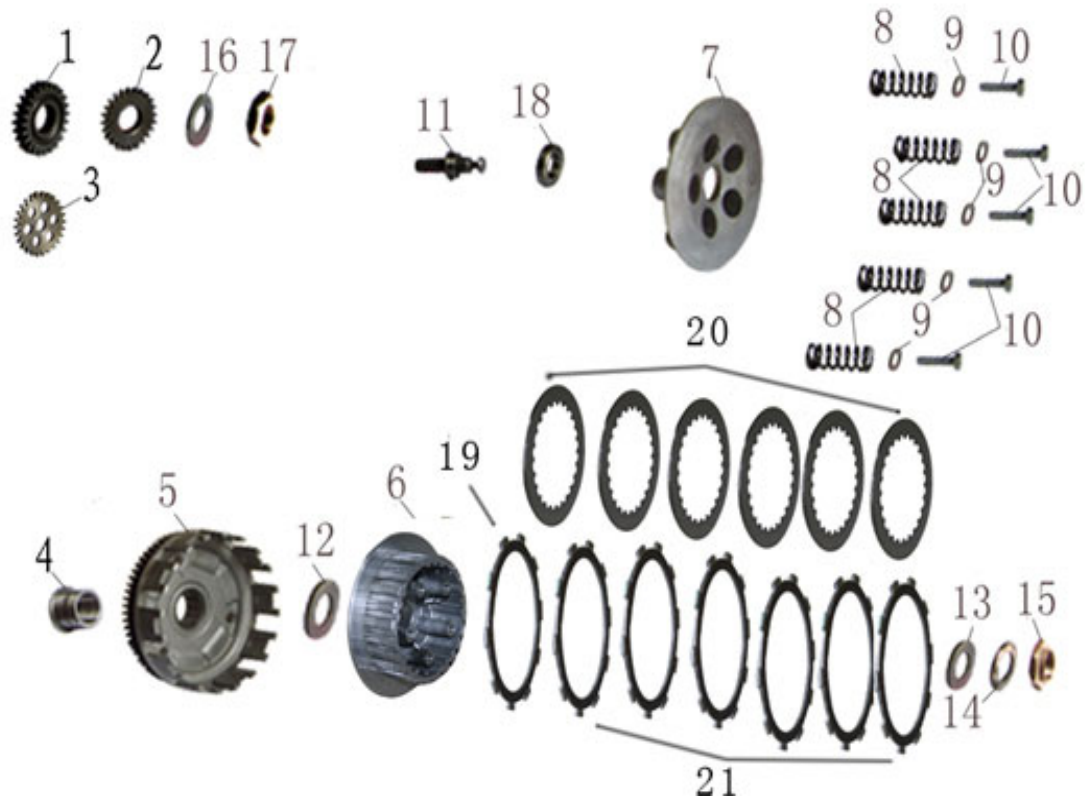
NO.	PARTS CODE	DESCRIPTION	ORDER	NOTE	COUNT
1	22150176	Cylinder head cover (black,polished)			
2	22050016	Exhaust valve rocker arm(left) signed "A"			
3	73131480	Washer $\phi 8.2 \times \phi 12 \times 0.3$			
4	72040363	Copper washer $\phi 12.2 \times \phi 18.5 \times 2$			
5	22070013	Exhaust valve rocker arm			
6	22050017	Exhaust valve rocker arm (right) signed "B"			
7	22050019	L.Exhaust and L intake valve rocker arm signed "A"			
8	22050020	Exhaust valve rocker arm signed "C"			

9	22050021		Intake valve rocker arm signed "B"				
10	72040364		Copper washerφ14.2xφ20x1.5				
11	22070015		Rocker arm shaft M14X1.5				
12	22050018		Intake valve rocker arm(left) signed "IN"				
13	22050018		Intake valve rocker arm(right) signed "IN"				
14	22070014		Rocker arm shaft				

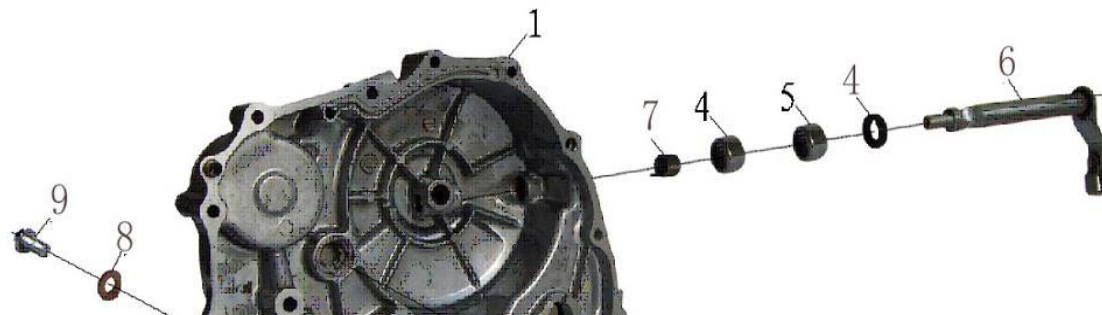


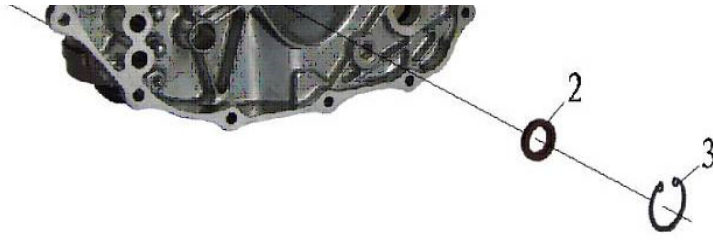
NO.	PARTS CODE	DESCRIPTION	ORDER	NOTE	COUNT
1	72120086	spring			
2	72060088	pin-1.5*4*16			
3	72060090	Pinφ10x18			
4	22080029	Camshaft assembly assy			
5	70090198	Bearingφ18xφ37x9 (oil seal outside)			

6	70090199		Bearingφ20xφ37x9				
7	72060090		Pinφ10x18				
8	15170067		Timing driven sprocket				
9	72011369		Bolt M7x9.4				
10	72060012		Dowel pin φ8x14				
11	72130690		Cylinder head gasket(steel)				
	22150176		Cylinder head cover (black.polished)				
13	72010169		Bolt M6x35				
14	72010389		Bolt M6 x40				
15	72010392		Bolt M6 x65				
16	72011917		Bolt M6 x119				
17	72011374		Bolt M6 x70				
18	72150258		O-ring				
19	22140006		Valve cover				

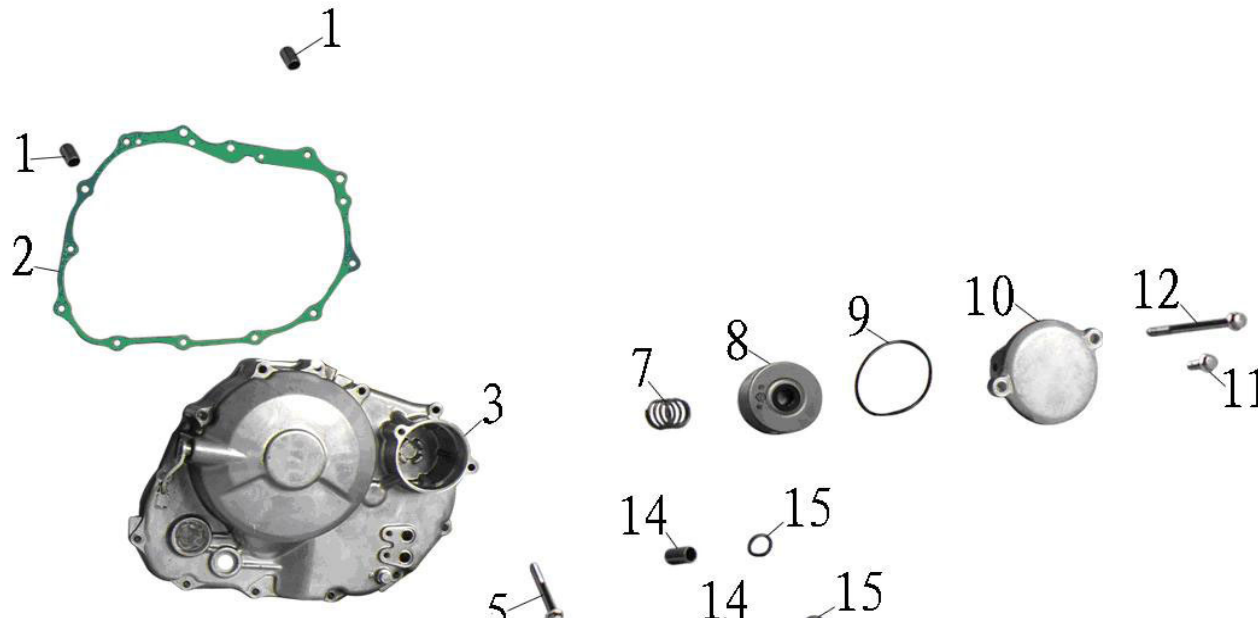


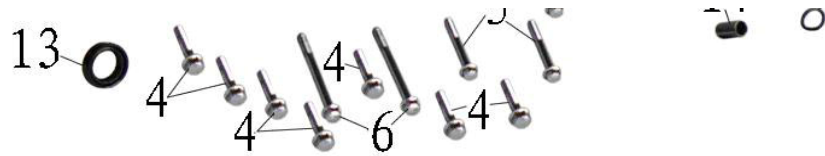
NO.	PARTS CODE	DESCRIPTION	ORDER	NOTE	COUNT
1	24020044	Primary initiative gear			
2	20060005	Primary initiative gear ,oil pump			
3	20060006	Primary driven gear ,oil pump			
4	24070261	Bushφ38xφ28x20.8			
5	24120104	Clutch outer cover			
6	24070251	Clutch inner cover			
7	24070256	Driving disc			
8	24070255	Spring			
9	72040197	washer			
10	72010163	Bolt M6X25			
11	24070206	Clutch apart cam			
12	24070204	Washerφ22xφ35x2			
13	72040367	Washerφ18.2xφ32.2x2			
14	24070165	Butterfly washerφ18xφ30x2			
15	24070163	Clutch fixing nut			
16	72040367	Washerφ18.2xφ32x2			
17	72020360	Nut M18x1			
18	24070205	Bearing61903/P6			
19	24070252	Clutch initiative disk I			
20	24070254	Clutch driven disk			
21	24070253	Clutch initiative disk II			



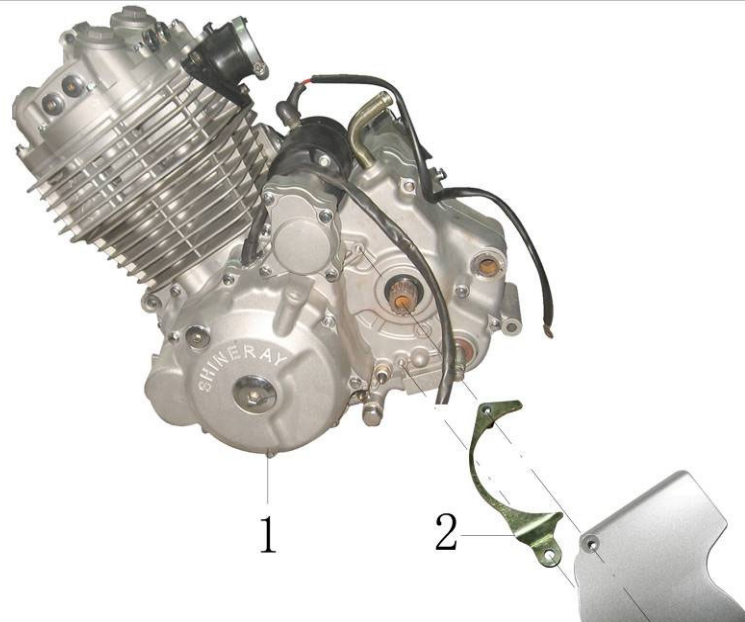


NO.	PARTS CODE	DESCRIPTION	ORDER	NOTE	COUNT
1	13011843	Right crankcase cover (black.polished)			
2	72110097	Oil seal ϕ 14x ϕ 22x5			
3	72080066	Retainer ring			
4	70090016	Bearing HK1210			
5	72110098	Oil seal ϕ 12x ϕ 18x5			
6	24030031	Clutch joy stick			
7	72120084	Spring ,clutch joy stick			
8	72040361	Copper washer ϕ 6.2x ϕ 12.5x1.2			
9	72011365	Bolt M6x12			



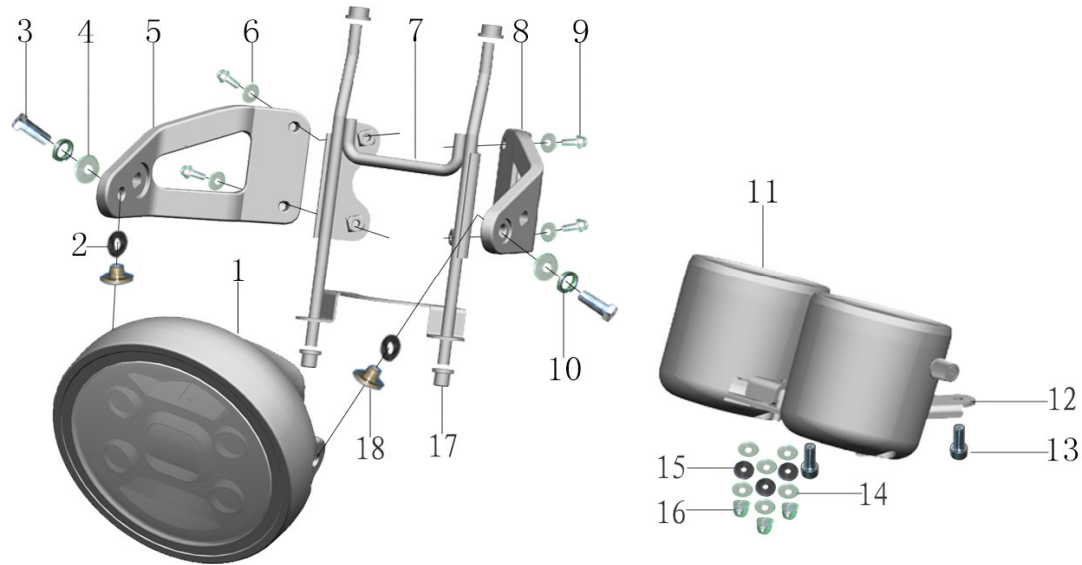


NO.	PARTS CODE	DESCRIPTION	ORDER	NOTE	COUNT
1	72060012	Dowel pin $\phi 8 \times 14$			
2	72130607	Right crankcase cover gasket			
3	13011843	Right crankcase cover (black, polished)			
4	72010387	Bolt M6x28			
5	72010390	Bolt M6x45			
6	72010392	Bolt M6x65			
7	72120158	Spring ,oil filter			
8	20030029	Oil filter			
9	72150220	O-ring			
10	14090060	Oil filter cover			
11	72010157	Bolt M6x16			
12	72010599	Bolt M6x75			
13	72110100	Oil seal $\phi 14 \times \phi 28 \times 7$			
14	72060019	Dowel pin $\phi 10 \times 16$			
15	72150213	O-ring			





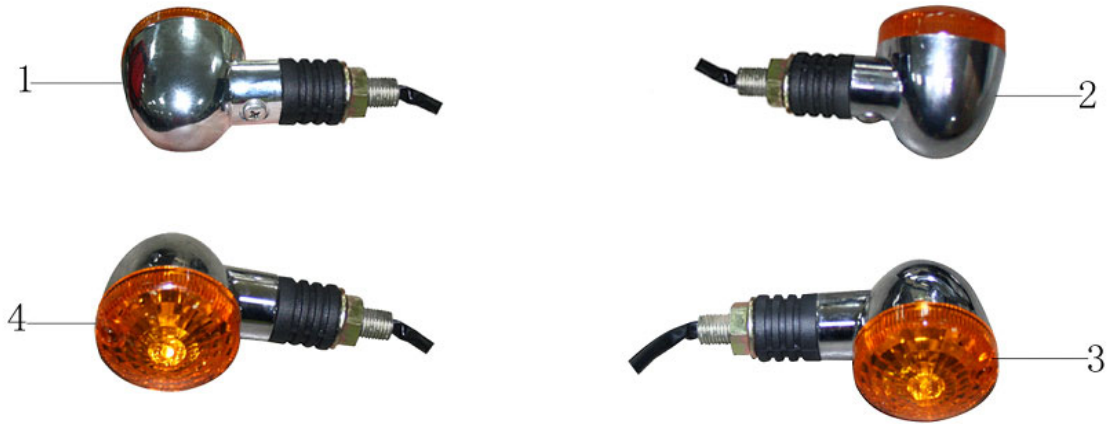
NO.	PARTS CODE	DESCRIPTION	ORDER	NOTE	COUNT
1	03191012-0001	Engine assy (no kick start,black,polished)			
2	73032012	Bracket, drive chain			
3	14021034	Cover (black)			
4	72011989	Bolt M6×30			
5	72011990	Bolt M6×40			



F-01 METER/FRONT HEADLIGHT

NO.	PARTS CODE	DESCRIPTION	ORDER	NOTE	COUNT
1	32010464	Headlight			
2	73012653	Headlight buffer rubber			
3	72011357	Bolt M8*35			
4	72040619	Washer 8			
5	73230192	Bracket-right front turning light			

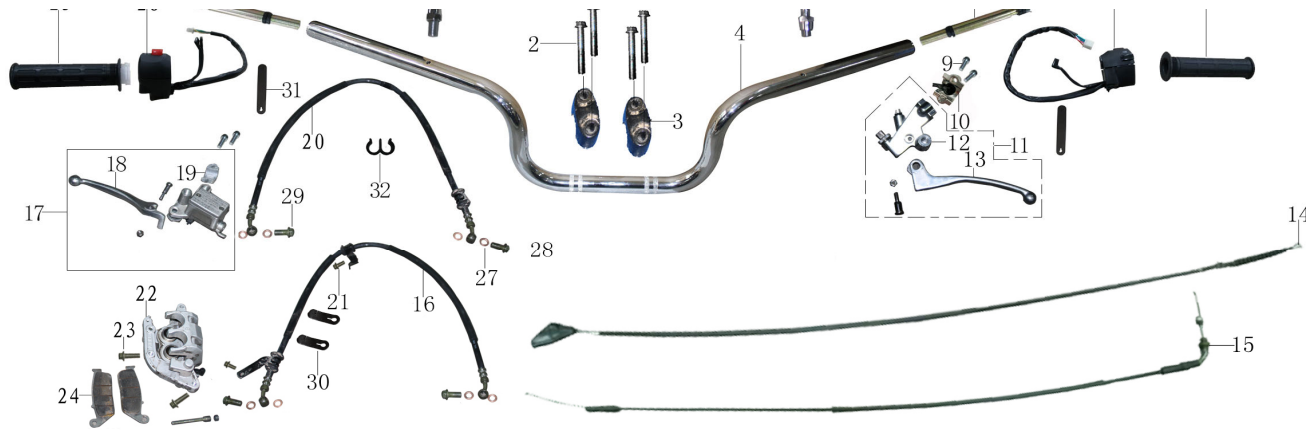
6	72040558		Washer 6				
7	73210312		Bracket-headlight				
8	73230191		Bracket-left front turning light				
9	72011988		Small head bolt M6*20				
10	72040625		Spring washer 8				
11	37010595		Meter				
12	73240103		Bracket, meter				
13	72030672		Screw M6*12				
14	72040571		Washer 6				
15	73012155		H-shaped gasket-side cover				
16	72020507		Cap nut M6				
17	73012327		Cushion-headlight bracket				
18	70120142		Flanged bush 8.5*22*12				



F-02 TURN LAMP

NO.	PARTS CODE		DESCRIPTION	ORDER	NOTE	COUNT
1	32040194		Turn signal lamp, rear R			
2	32050194		Turn signal lamp, rear L			
3	32030225		Turn signal lamp front L			
4	32020225		Turn signal lamp front R			





F-03 STEERING SYSTEM

NO.	PARTS CODE	DESCRIPTION	ORDER	NOTE	COUNT
1	53230279	Right rearview mirror			
2	72011993	Bolt M8*35			
3	45040103	Connecting clip, handlebar			
4	45010414	Handlebar			
5	53240267	Left rearview mirror			
6	45020044	Decorative plug, handlebar			
7	36020314	Left handlebar switches			
8	45060104	Rubber, left handlebar			
9	72030638	Screw M6*25			
10	45530033	Connect clip, clutch lever			
11	45190153	Clutch lever assy			
12	45210011	Connect seat, clutch lever			
13	45190179	Clutch lever			
14	47020329	Clutch cable			
15	47030356	Throttle cable			
16	55130089	Oil pipe assembly of front brake wheel cylinder			
17	10000164	Front brake main pump assembly			
18	45180128	Front brake handle			
19	55120316	Fixed block of front brake pump seat			
20	55130088	Oil pipe assembly of front brake main pump			
21	72011991	Bolt M6*12			
22	55020348	Front hydraulic brake assembly			

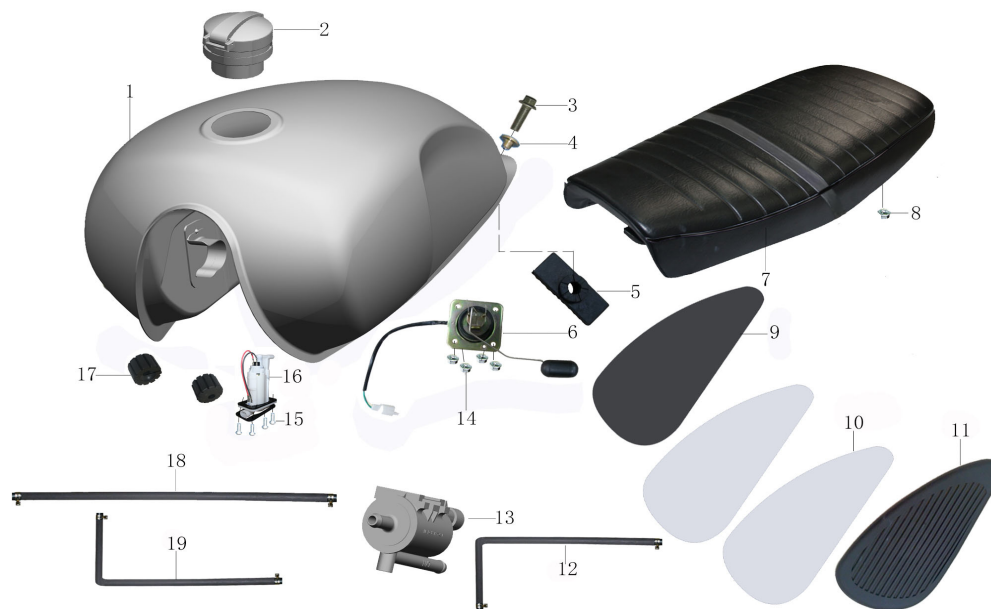
23	72011993		Bolt M8*35				
24	55120315		Front brake pad				
25	45050125		Rubber, right handlebar				
26	36010283		Right handlebar switches				
27	72040664		Copper washer 10*15*1.2				
28	72012207		Bolt M10*1-20				
29	72012170		Bolt M10*1.25-20				
30	73012544		Speed sensor belt				
31	C800071578		Rubber clamp				
32	73021289		Front brake oil pipeline line card				



F-04 FRONT SUSPENSION

NO.	PARTS CODE		DESCRIPTION	ORDER	NOTE	COUNT
1	41050553		Right front shock absorber			
2	46010200		Upper connecting plate, steering stem			
3	76020467		Ignition switch lock			
4	72011928		Screw M8*20			
5	41060552		Left front shock absorber			
6	41320075		Rubber, front shock			
7	46020205		Steering stem			
8	72020211		Nut M6			

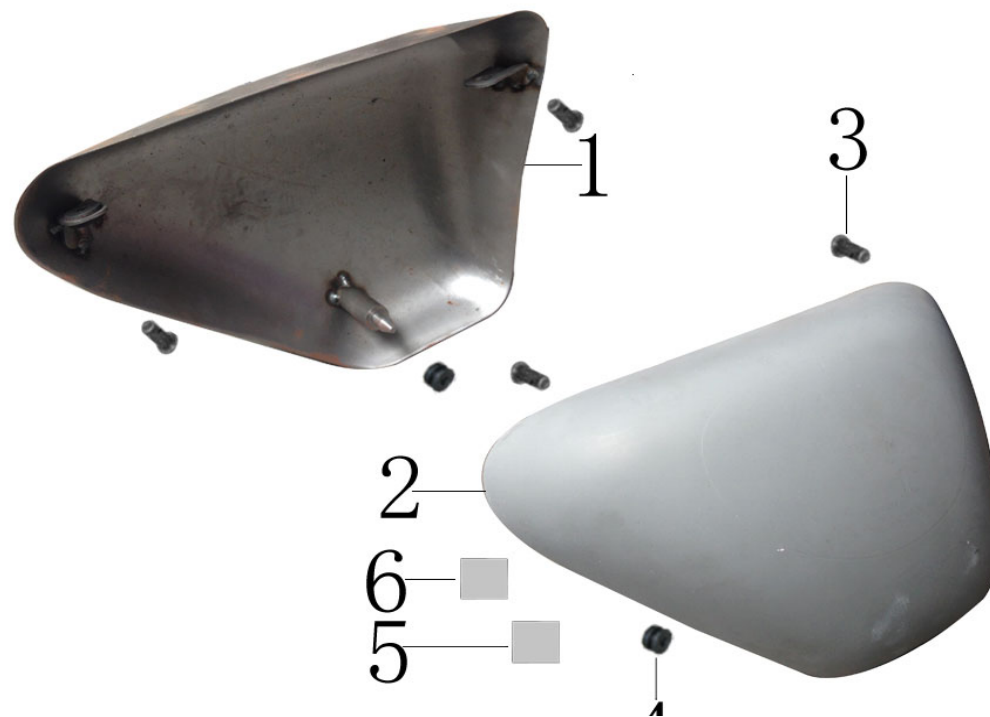
9	73060101		Side reflector			
10	72012098		Bolt M10*1.25*35			
11	73012411		Rubber washer, steering column			
12	72040579		Plain washer, steering column			
13	46120011		Lower cover, lower bearing of steering stem			
14	46080015		Lower cover, upper bearing of steering stem			
15	46070015		Upper cover, upper bearing of steering stem			
16	72020513		Lock nut, steering column			
17	72040578		Lock washer, steering column			
18	72020512		Adjusting nut, steering column			



F-05 SEAT, FUEL TANK

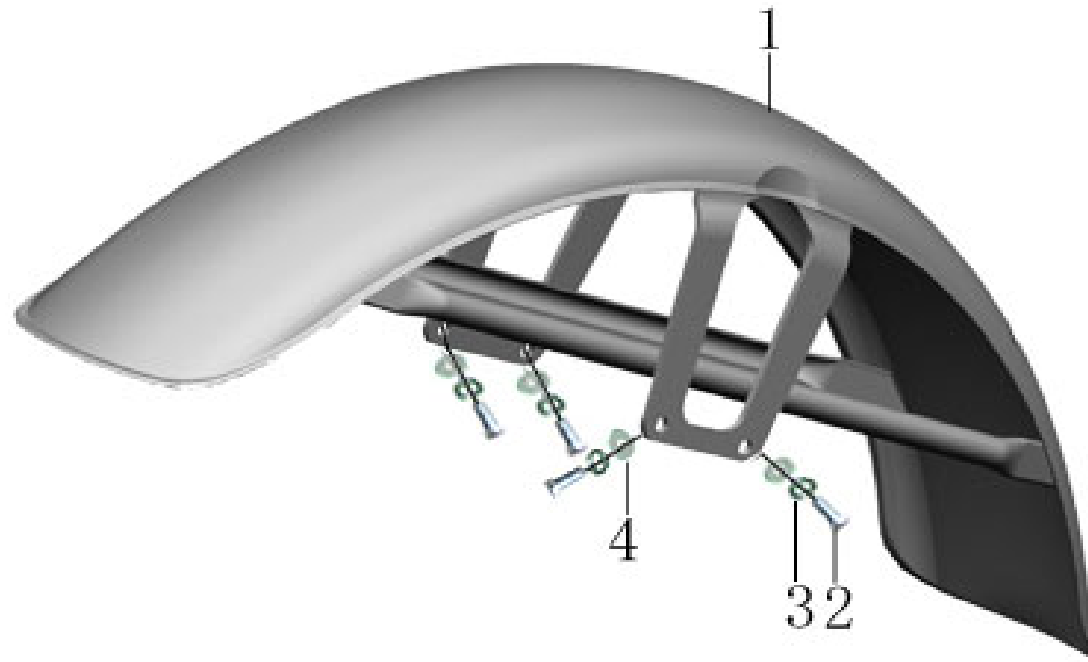
NO.	PARTS CODE	DESCRIPTION	ORDER	NOTE	COUNT
1	16032592	Fuel tank assy(Green)			
	74020476	Sticker,fuel tank(Green), L			
	74010500	Sticker,fuel tank(Green), R			
	16033090	Fuel tank assy(glossy black)			
	74020525	Sticker,fuel tank(glossy black), L			
	74010588	Sticker,fuel tank(glossy black), R			
2	76020467	Fuel tank lock			

3	72011949		Bolt M8*30				
4	70120283		Flanged bush-fuel tank $\phi 8.3 * \phi 12 * \phi 30 * 10$				
5	73012322		Rear assembling rubber-fuel tank				
6	31130148		Fuel sensor				
7	41161851		Seat				
8	72020231		Nut M8				
9	73012360		Right decorative rubber-fuel tank				
10	71010990		Sticker,decorate rubber, fuel tank				
11	73012361		Left decorative rubber-fuel tank				
12	73090348		Desorption hose II				
13	31350090		Solenoid valve				
14	72020178		Nut M6				
15	72030657		Screw M4*16				
16	F000A03506		Fuel pump				
17	73012149		Front assembling rubber-fuel tank				
18	73090372		Adsorption of rubber hose				
19	73090350		Desorption hose I				



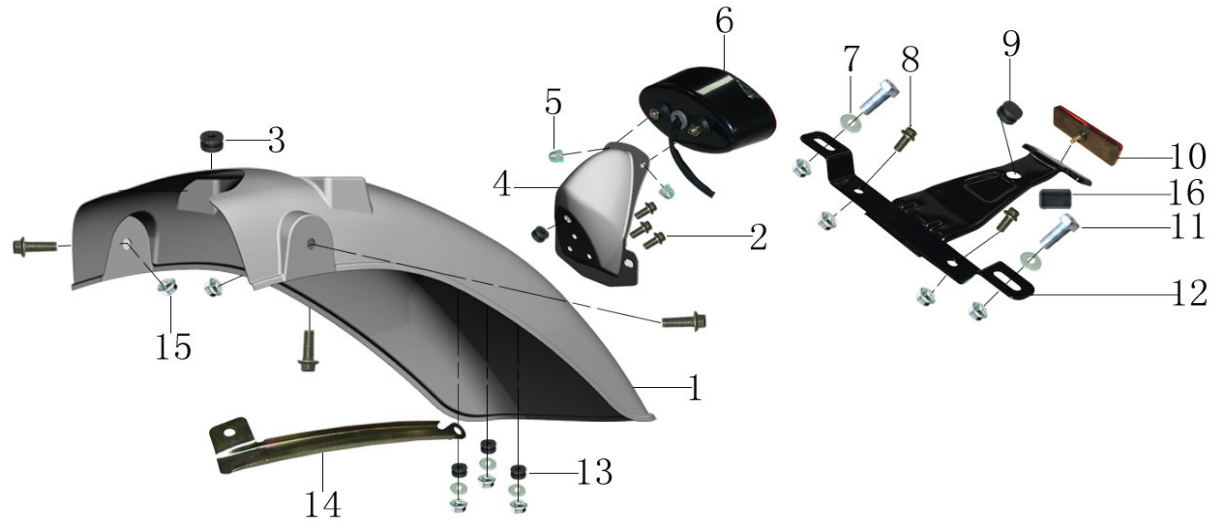
F-06 SIDE COVER

NO.	PARTS CODE	DESCRIPTION	ORDER	NOTE	COUNT
1	53033297	Cover frame R(Green)			
2	53026248	Cover frame, L(Green)			
1	53033550	Cover frame R(Black)			
	74070617	Sticker,side cover,R			
2	53026504	Cover frame, L(Black)			
	74080617	Sticker,side cover,L			
3	73012510	Side cover installation glue			
4	73010065	Rubber ring , side cover			
5	73012461	left side cover bubble pad I			
6	73012462	left side cover bubble pad II			

**F-07 FRONT FENDER**

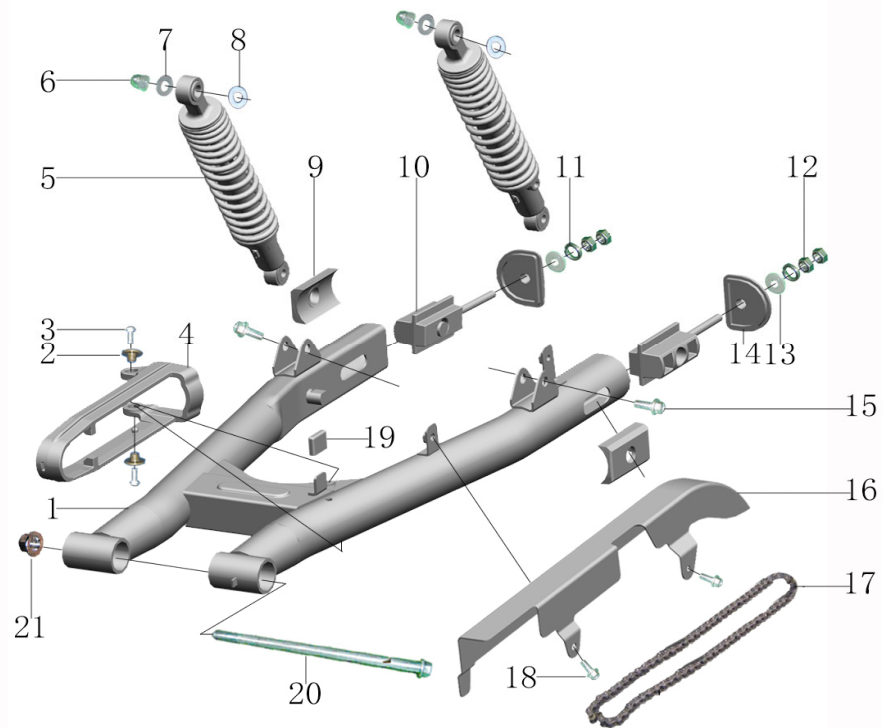
NO.	PARTS CODE	DESCRIPTION	ORDER	NOTE	COUNT
1	53012839	Front fender(chrome)			
	53013209	Front fender(glossy black)			

2		Bolt			
3		Spring Washer			
4		Plain Washer			



F-08 REAR FENDER ASSY

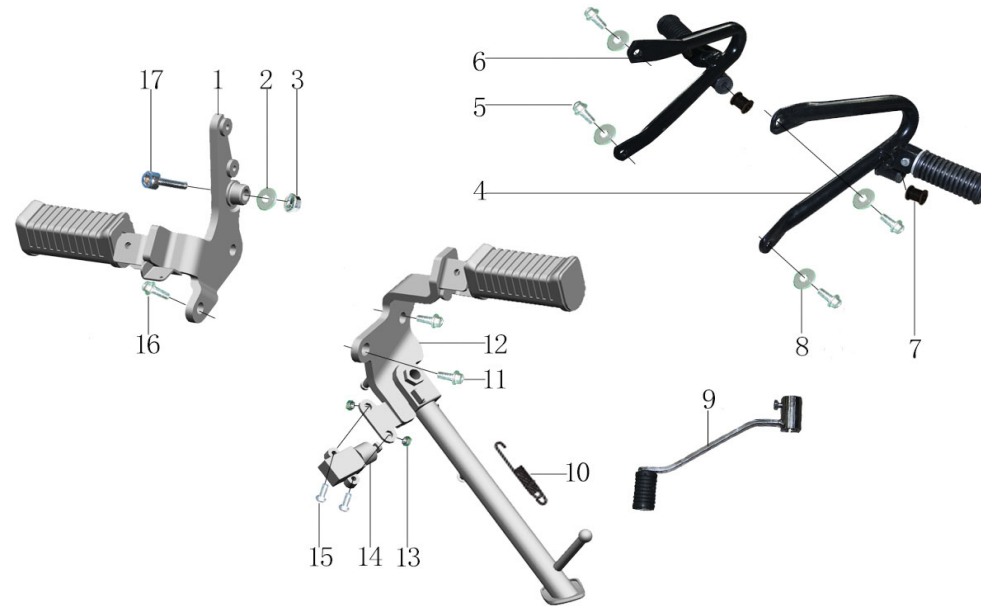
NO.	PARTS CODE	DESCRIPTION	ORDER	NOTE	COUNT
1	53170618	Rear fender (Chrome)			
	53170781	Rear fender (特黒)			
2	72011996	Bolt M6×16			
3	73012329	Rubber sleeve II, rear fender			
4	73220064	Bracket, taillight			
5	72020507	Cap nut M6			
6	32060503	Taillamp assy			
7	72040571	Washer 6			
8	72011991	Bolt M6×12			
9	73012164	Cushion rubber, rear license			
10	73060039	Rear reflector			
11	72011940	Bolt M6×14			
12	73280100	Rear license bracket			
13	73012325	Installation rubber pad, taillamp			
14	73032132	Tensioning plate, taillamp			
15	72020504	Nut M6			
16	73012420	Rubber			



F-09 SWING ARM/REAR RDAMPER

NO.	PARTS CODE	DESCRIPTION	ORDER	NOTE	COUNT
1	41041117	Rear fork			
2	70120280	Assembling bush-protect clip,chain bar			
3	72011922	Screw 6*12			
4	F000P02380	Buffer chaincase defence			
5	41070650	Rear shock absorber			
6	72020508	Nut-M10*1.25			
7	72040603	Washer $\Phi 10.5 \times \Phi 27 \times 2$			
8	72040621	Washer 12			
9	73032706	Chain adjuster side stop			
10	54140163	Chain bar adjuster			
11	—	Spring washer			
12	—	Nut			
13	—	Washer			
14	41280499	Flat fork end cover			

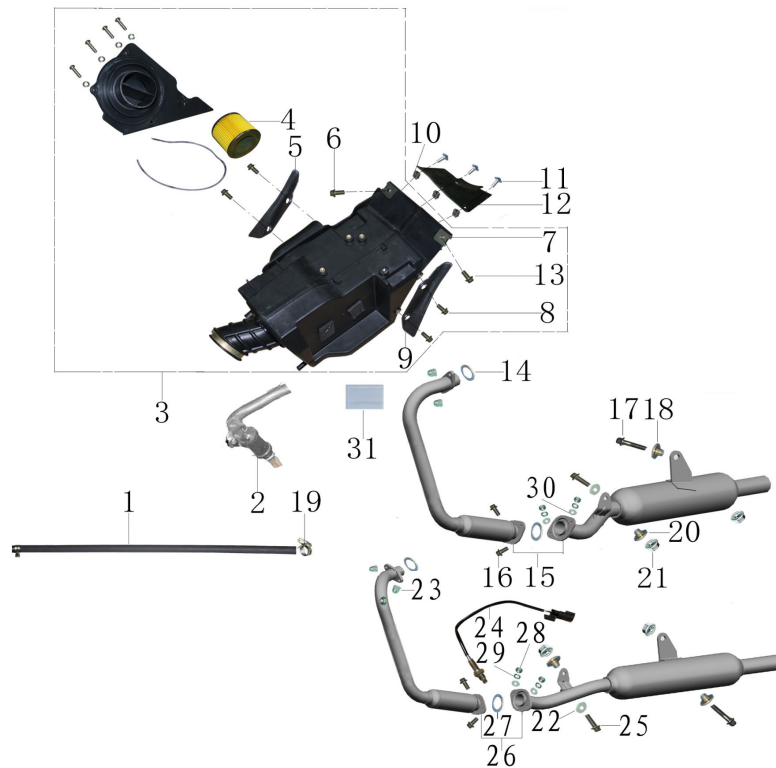
15	72012098		Bolt M10*1.25*35				
16	73080254		Chain box				
17	54120185		Chain				
18	72011991		Bolt M6*12				
19	73012153		Cushion-chain box				
20	70030169		Axle, rear fork				
21	72020488		Nut M14*1.5				



F-10 FOOTREST/STAND

NO.	PARTS CODE	DESCRIPTION	ORDER	NOTE	COUNT
1	41120315	Right front footrest			
2	72040604	Washer 8			
3	72020486	Nut M8			
4	41140409	Left rear footrest			
5	72012054	Bolt M8*20			
6	41150406	Right rear footrest			
7	73012157	Assembling rubber-exhaust muffler			
8	72040619	Washer 8			

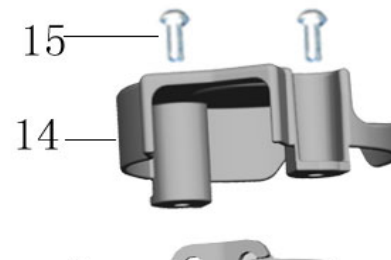
9	45080330		Gear shifting pedal			
10	—		Return spring, side stand			
11	72011954		Bolt M10*1.25*20			
12	41130181		Left front footrest			
13	72020578		Nut M5			
14	31120018		Poweroff switch			
15	72030680		Screw M5*20			
16	72012098		Bolt M10*1.25*35			
17	72030244		Screw M8*45			

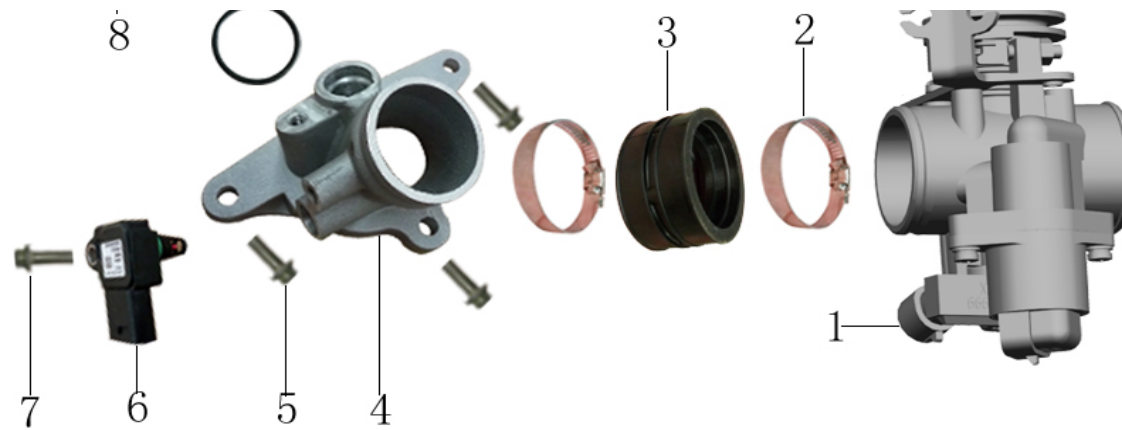


F-11 AIR CLEANER ASSY/MUFFLER

NO.	PARTS CODE		DESCRIPTION	ORDER	NOTE	COUNT
1	17060151		Engine cycle tube			
2	18050094		Oil and gas separator			
3	18020435		Air filter			
4	18130036		Filter element, air cleaner			

5	18020086		Air cleaner cover, right				
6	72010666		Bolt M6*16				
7	72020493		Welding nut clip M6*25				
8	—		Bolt				
9	18020085		Air cleaner cover, left				
10	72020494		Nut clamp M5				
11	72030647		Screw M5*12				
12	73021054		Front water shield rubber-rear fender				
13	72011353		Bolt M6*20				
14	18140219		seal ring, muffler				
15	18012786		Right exhaust muffler assy				
16	72011342		Bolt				
17	72011994		Bolt M8*45				
18	72040550		Washer 8.5*30*31				
19	73032448		Anchor ear $\phi 9-\phi 13$				
20	72040549		Washer 8.5*22*18				
21	72020486		Nut M8				
22	72040604		Washer 8*24				
23	72020600		Cap nut-muffler M8*18				
24	31350074		Oxygen sensor				
25	72011993		Bolt M8*35				
26	18012785		Left exhaust muffler assy				
27	18140252		Gasket between muffler and exhaust				
28	72020211		Nut				
29	72040571		Spring Washer				
30	72040558		Washer				
31	71010108		Double sider paste				

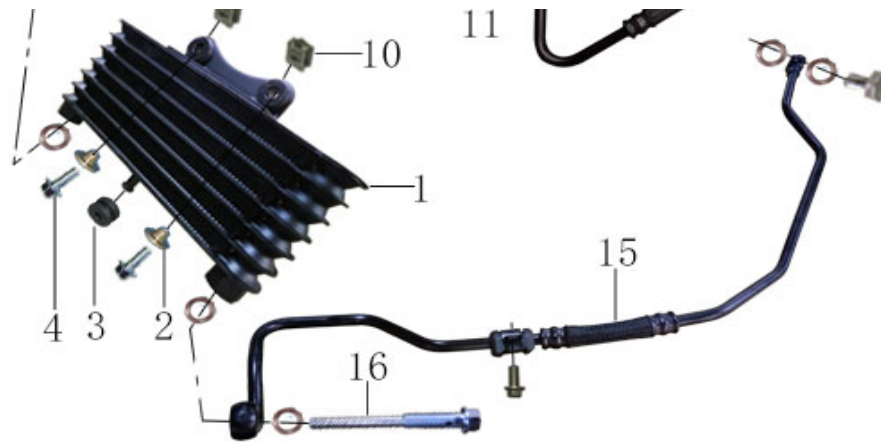




F-12 EFI

NO.	PARTS CODE	DESCRIPTION	ORDER	NOTE	COUNT
1	31350095	Throttle body assembly			
2	72080116	Intake pipe clamp			
3	73012549	Rubber cover			
4	18031026	Pipe intake			
5	72012001	Bolt M6×25			
6	31350073	Fuel pressure regulator			
7	72011987	Bolt M6×16			
8	72130573	Heat insulation mat, enter windpipe			
9	72150219	O-ring			
10	72011986	Bolt M6×12			
11	73090335	Vitta assy			
12	31350118	Nut,Fuel injector			
13	31350070	Fuel injector			
14	73021133	Solar term door trim			
15	72030682	Bolt M5×12			





F-13 OIL LINE ASSY I

NO.	PARTS CODE	DESCRIPTION	ORDER	NOTE	COUNT
1	F000A00447	Oil cooler assembly			
2	72040665	Flanging bushing			
3	—	Buffer glue			
4	72011988	Small head bolt M6*20			
5	72040159	Aluminium washer 12.5*20*1.5			
6	72012141	Glib bolt M12*1.25*28			
7	72011982	Bolt-small disk M6*12			
8	17060247	Oil-in line			
9	72150213	O shaped ring-oil pipe 10*1.9			
10	72020493	Welding nut clip M6*25			
11	72011988	Small head bolt M6*20			
12	72060019	Dowel pin 10*16			
13	17060244	Input oil pipe, engine			
14	72011228	Bolt M12			
15	17060246	Oil-out line			
16	F000P00742	Bolt M12*1.25*30-80			

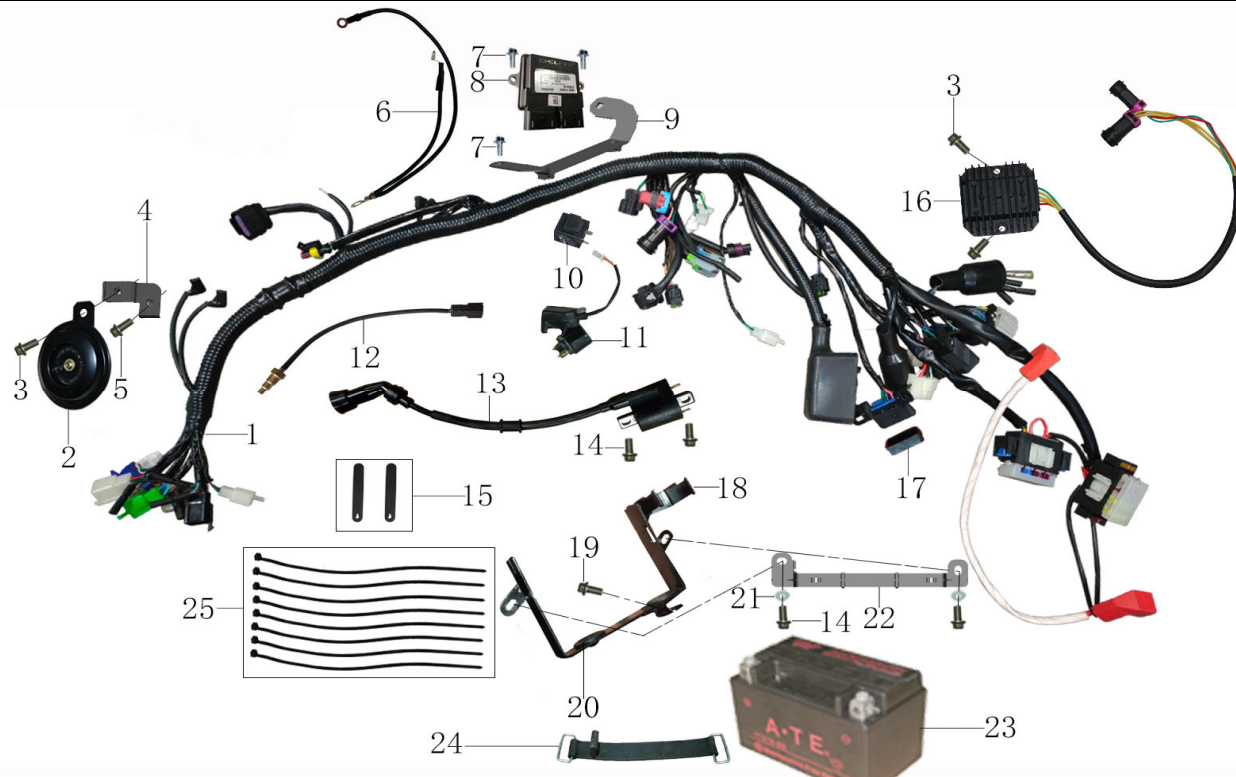




F-14 F.WHEEL/ RR.WHEEL

NO.	PARTS CODE	DESCRIPTION	ORDER	NOTE	COUNT
1	70050179	Axle, front wheel			
2	70060161	Right bush, front wheel			
3	54050304	Front tyre			
4	54070065	Front tube			
5	54090019	Wheel flap			
6	54010296	Front spoke wheel			
7	55030184	Front disc brake plate			
8	72011608	Bolt M8*25			
9	55210004	Before ABS ring gear			
10	72030725	Screw M4*10			
11	73032309	Before sensor bracket			
12	72011987	Small head bolt M6*16			
13	72020488	Nut M14*1.5			
14	72020489	Nut M16*1.5			
15	70070273	Left bush, rear wheel			
16	54270096	Buffer body assy			
17	—	Cushion block, rear wheel			
18	54030413	Rear spoke wheel			
	54080092	Rear tube			
	54060266	Rear tyre			
	55060067	Rear disc brake plate			

	55210005		After ABS ring gear				
19	70070274		Right bush, rear wheel				
20	55120493		Bracket, Sub-cylinder, rear brake				
21	37050053		Speed sensor				
22	73021288		Speed sensor line card				
23	70080147		Axle, rear wheel				
24	70080147		Bracket, Sub-cylinder, rear brake				
25	37050053		Speed sensor				
26	73021288		Speed sensor line card				
27	70080147		Axle, rear wheel				

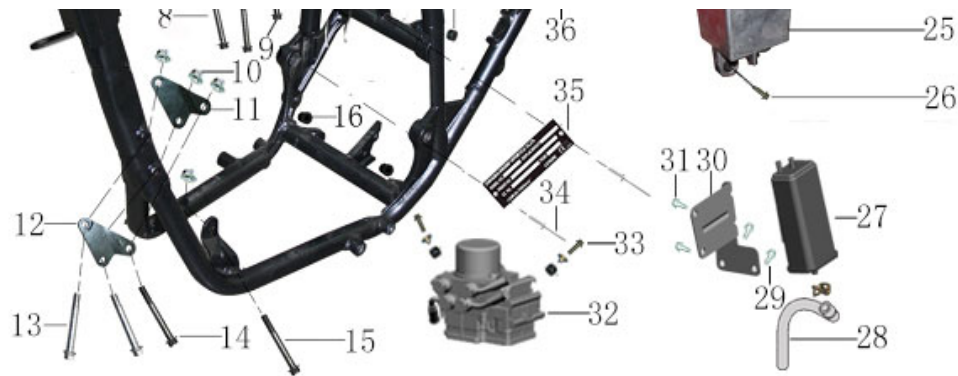


F-15 ELECTRIC DEVICE

NO.	PARTS CODE	DESCRIPTION	ORDER	NOTE	COUNT
1	31061663	Main cable			
2	31080128	Horn			
3	72011991	Bolt M6*12			

4	73032383		Horn bracket				
5	72011996		Bolt M6*16				
6	31320026		Ground wire				
7	72011610		Bolt-small disk M6*12				
8	31350203		ECM				
9	73032312		Bracket,ECU				
10	31040019		Flash relay				
11	31050077		Starting relay				
12	31350073		Temperature sensor				
13	31020146		Ignition loop				
14	72010666		Bolt M6*16				
15	C800071578		Rubber clamp				
16	31030096		Voltage regulator				
17	73012553		OBD connector dustproof set				
18	73250190		Bracket-battery				
19	72010843		Bolt M6*12				
20	73010197		Cushion-battery				
21	72040197		Washer 6*18*1.5				
22	73021121		Belt,relief gasket				
23	31070180		Battery				
	73012324		Battery strap				
24	73010695		Ribbon 5*250				

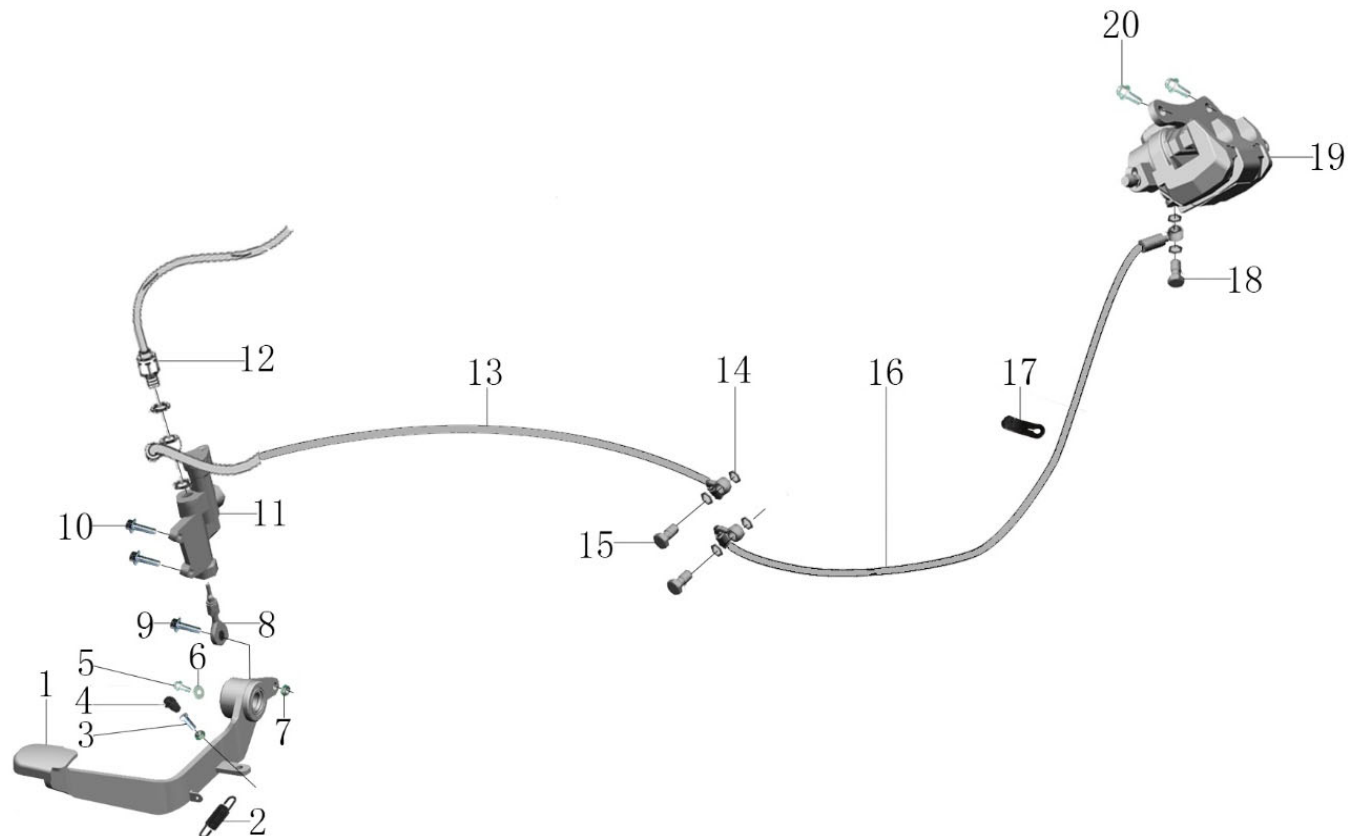




F-16 FRAME WELDING ASSEMBLY

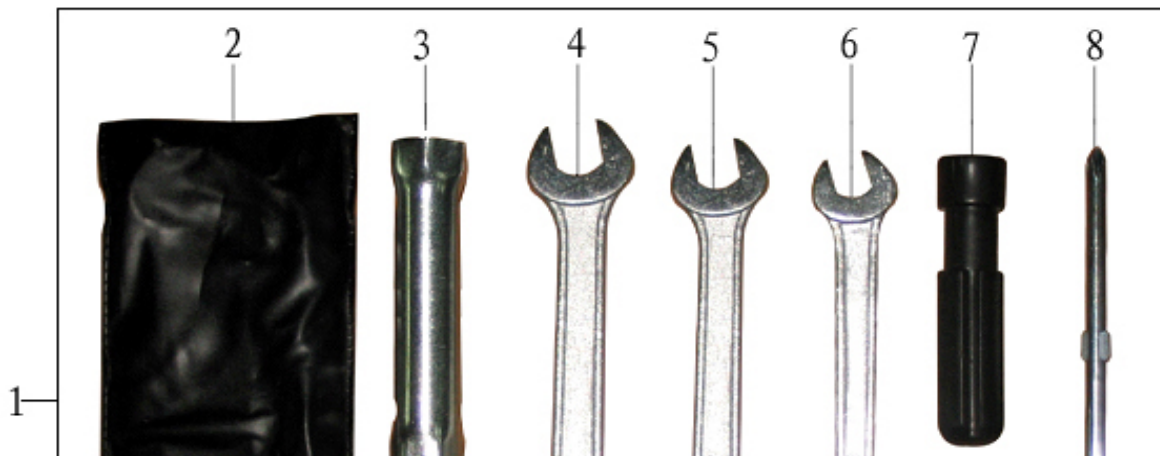
NO.	PARTS CODE	DESCRIPTION	ORDER	NOTE	COUNT
1	41011859	Frame welding assy			
2	73032013	Hook-clutch cable			
3	72020388	Nut M8			
4	73070574	Right upper connecting plate-engine			
5	72020487	Nut M10*1.25			
6	73070532	Left upper connecting plate-engine			
7	73032320	The front brake oil pipeline wire hook			
8	72011952	Bolt M8*75			
9	72011958	Upper suspension shaft, front (engine)			
10	72020486	Nut M8			
11	73070732	Front connecting board, R (engine)			
12	73070733	Front connecting board, L (engine)			
13	72012237	Bolt M8*82			
14	72011925	Front suspension shaft, engine			
15	72011924	Below suspension shaft, front (engine)			
16	73012323	Assembling rubber-exhaust muffler			
17	73012321	Cushion-engine oil bottle			
18	72040572	Washer 10			
19	41080733	Rear goods shelf			
20	72011992	Bolt M8*16			
21	73012684	Dipstick			
22	72040551	Washer 6.5*18*7			
23	16080010	Cover, Engine oil bottle			
24	72011342	Bolt M6*25			

25	16080011		Body, Engine oil bottle				
26	72011949		Bolt M8*30				
27	18210017		Charcoal canister				
28	F000P01489		Desorption hose				
29	72010843		Bolt M6*12				
30	73032311		Carbon tank bracket				
31	72011285		Bolt-M6*10				
32	55210028		Rear hydraulic brake ABS				
33	72011996		Bolt M6*16				
34	72070007		Rivet 3.2*8				
35	71020491		Nameplate, frame				
36	72012118		Bolt M6*9				
37	76020467		Helmat lock				
38	72011991		Bolt M6*12				

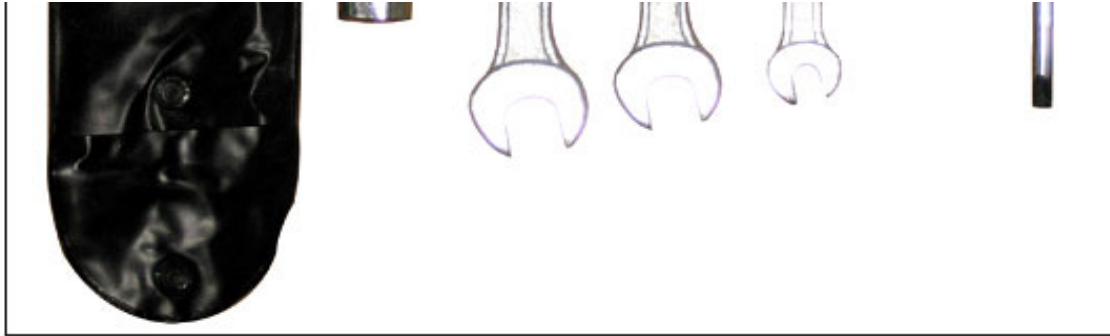


F-17 REAR HYDRAULIC BRAKE

NO.	PARTS CODE	DESCRIPTION	ORDER	NOTE	COUNT
1	55070407	Rear brake pedal			
2	800055903	Brake pedal spring			
3	72012102	Bolt M6*20			
4	73012331	Limit rubber sleeve- rear brake pedal			
5	72011992	Bolt M8*16			
6	72040604	Washer 8			
7	72020490	Nut M6			
8	55120292	Brake rod			
9	72012001	Bolt-small disk M6*25			
10	72011989	Small head bolt M6*30			
11	55050187	Main pump, rear brake			
12	—	Rear brake switch cable			
13	55140048	After brake master pump hose			
14	72040664	Copper washer 10*15*1.2			
15	72012207	Bolt M10*1-20			
16	55140044	After brake caliper hose			
17	73012544	Speed sensor belt			
18	72012170	Bolt M10*1.25-20			
19	55050225	Sub-cylinder, rear brake			
20	72012054	Bolt M8*20			



1



F-17 TOOLS KIT

NO.	PARTS CODE	DESCRIPTION	ORDER	NOTE	COUNT
1	76090028	Tools kit			
2		Tool Bag			
3		Sleeve, spark plug			
4		Open-end Wrench 14×17			
5		Open-end Wrench 10×12			
6		Open-end Wrench 8×10			
7		Screw driver handle			
8		Double-ended Screwdriver			